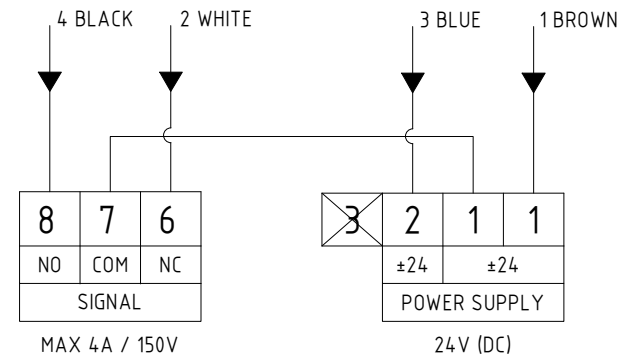


# STANDARD

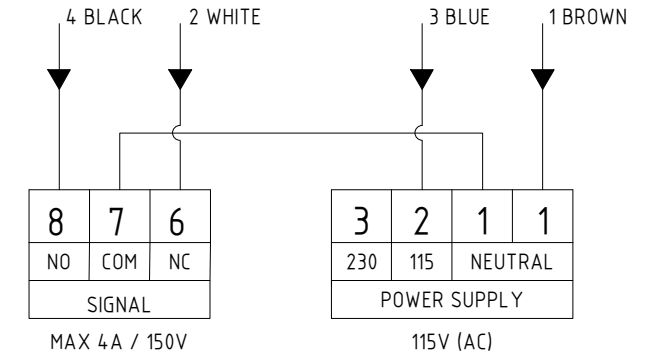
## 24 VDC

| M12 pole N. | Color | Signal    |
|-------------|-------|-----------|
| 1           | BROWN | ±24V (DC) |
| 2           | WHITE | NC        |
| 3           | BLUE  | ±24V (DC) |
| 4           | BLACK | NO        |



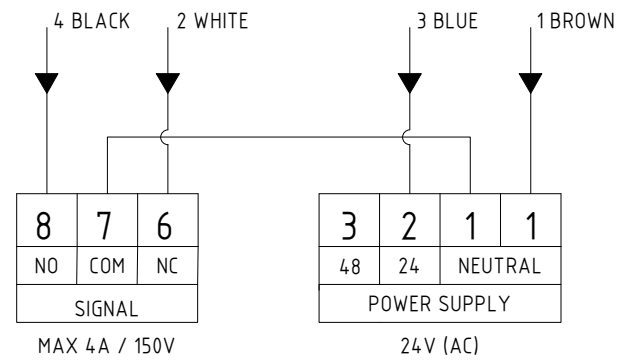
## 115 VAC

| M12 pole N. | Color | Signal    |
|-------------|-------|-----------|
| 1           | BROWN | NEUTRAL   |
| 2           | WHITE | NC        |
| 3           | BLUE  | 115V (AC) |
| 4           | BLACK | NO        |



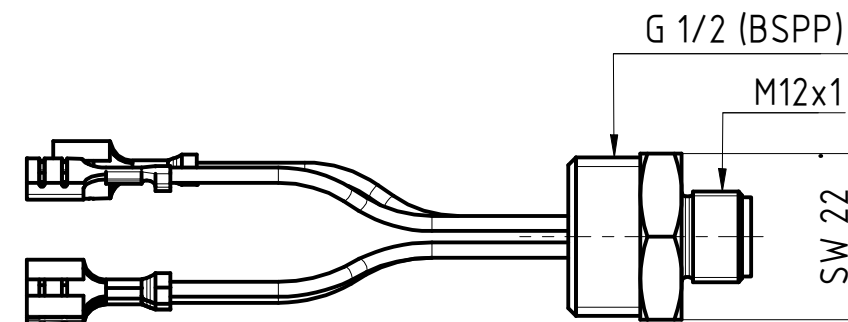
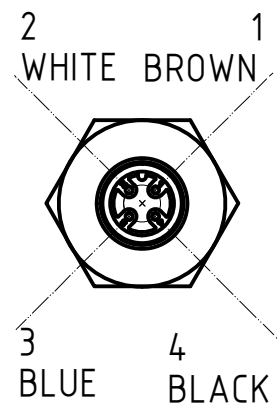
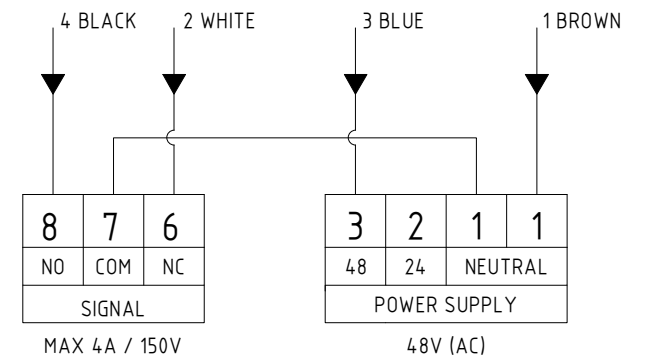
## 24 VAC

| M12 pole N. | Color | Signal   |
|-------------|-------|----------|
| 1           | BROWN | NEUTRAL  |
| 2           | WHITE | NC       |
| 3           | BLUE  | 24V (AC) |
| 4           | BLACK | NO       |



## 48 VAC

| M12 pole N. | Color | Signal   |
|-------------|-------|----------|
| 1           | BROWN | NEUTRAL  |
| 2           | WHITE | NC       |
| 3           | BLUE  | 48V (AC) |
| 4           | BLACK | NO       |



**CONFIDENTIAL / PROPRIETARY  
DO NOT DISTRIBUTE**

® CAMLogic  
- ALL RIGHTS RESERVED -

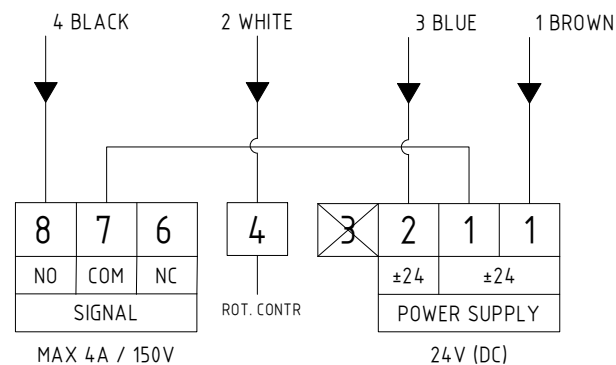
|  |   |   |                  |
|--|---|---|------------------|
| <b>® CAMLogic</b><br>Via Dell'Industria 12<br>42025 Cavriago (RE) - ITALY<br>Web: www.camlogic.it  |   | DRAWING NUMBER                                      |                  |
|  |   | <b>0602_0039_00</b>                                 |                  |
| SCALE: 1 : 1   | DESCRIPTION                             | DRAWN: Guidetti F.                                  | 26/06/2020       |
| GENERAL TOL: ISO 2768-mH   |   | REV: 05   |                  |
| FILE: 0602_0039_00   | M12 CONNECTOR CONNECTION DIAGRAMS PFG05 | SHEET: 1  |                  |
| DRAWING FROM CAD SYSTEM - REFER TO 3D MODEL FOR MISSING DIMENSION - NO MANUAL MODIFICATION ALLOWED |   | UNLESS OTHERWISE SPECIFIED - DIMENSIONS ARE IN mm - | SHEET NO: 1 OF 3 |

SIZE UNI A3

# ROTATION CONTROL

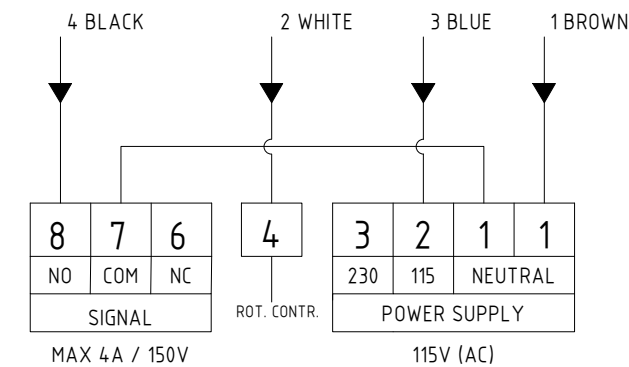
## 24 VDC

| M12 pole N. | Color | Signal      |
|-------------|-------|-------------|
| 1           | BROWN | ±24 V (DC)  |
| 2           | WHITE | ROT. CONTR. |
| 3           | BLUE  | ±24 V (DC)  |
| 4           | BLACK | NO          |



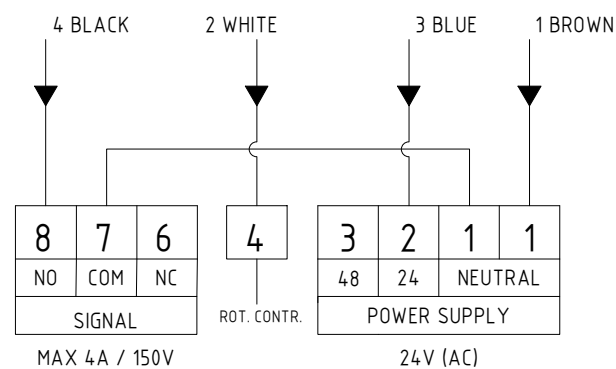
## 115 VAC

| M12 pole N. | Color | Signal      |
|-------------|-------|-------------|
| 1           | BROWN | NEUTRAL     |
| 2           | WHITE | ROT. CONTR. |
| 3           | BLUE  | 115V (AC)   |
| 4           | BLACK | NO          |



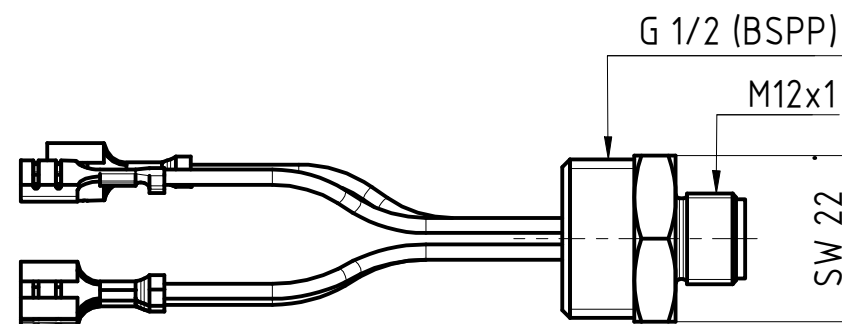
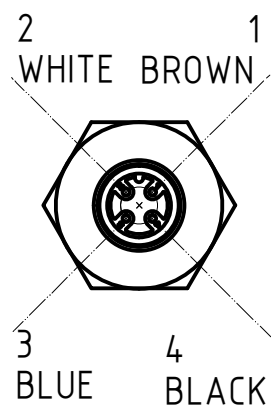
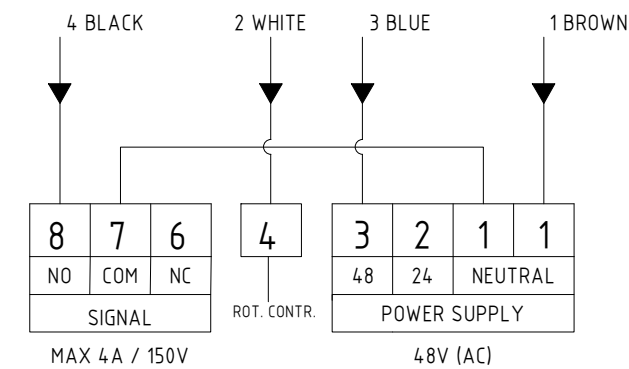
## 24 VAC

| M12 pole N. | Color | Signal      |
|-------------|-------|-------------|
| 1           | BROWN | NEUTRAL     |
| 2           | WHITE | ROT. CONTR. |
| 3           | BLUE  | 24V (AC)    |
| 4           | BLACK | NO          |



## 48 VAC

| M12 pole N. | Color | Signal      |
|-------------|-------|-------------|
| 1           | BROWN | NEUTRAL     |
| 2           | WHITE | ROT. CONTR. |
| 3           | BLUE  | 48V (AC)    |
| 4           | BLACK | NO          |



**CONFIDENTIAL / PROPRIETARY  
DO NOT DISTRIBUTE**

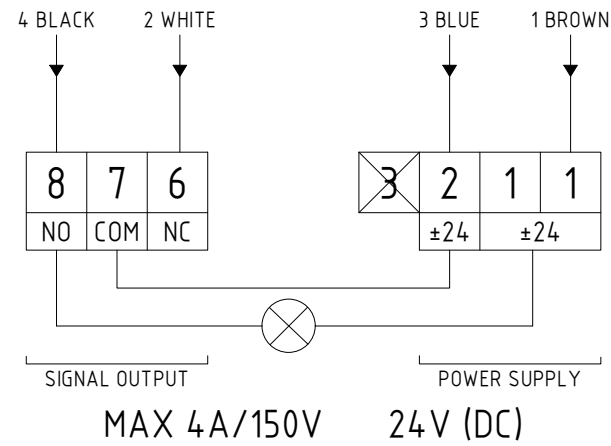
® CAMLogic  
- ALL RIGHTS RESERVED -

|   |  |   |                     |
|---|--|---|---------------------|
| <b>® CAMLogic</b><br>Via Dell'Industria 12<br>42025 Cavriago (RE) - ITALY<br>Web: www.camlogic.it |  | DRAWING NUMBER                                      |                     |
|   |  | <b>0602_0039_00</b>                                 |                     |
| SCALE: 1 : 1  | DESCRIPTION  | DRAWN: Guidetti F.                                  | 26/06/2020          |
| GENERAL TOL: ISO 2768-mH  |  | M12 CONNECTOR CONNECTION DIAGRAMS PFG05             |                     |
| FILE: 0602_0039_00  | DRAWING FROM CAD SYSTEM - REFER TO 3D MODEL FOR MISSING DIMENSION - NO MANUAL MODIFICATION ALLOWED | UNLESS OTHERWISE SPECIFIED - DIMENSIONS ARE IN mm - | REV: 05<br>SHEET: 2 |
|   |  |   | SHEET NO: 2 OF 3    |

# SIGNAL LAMP

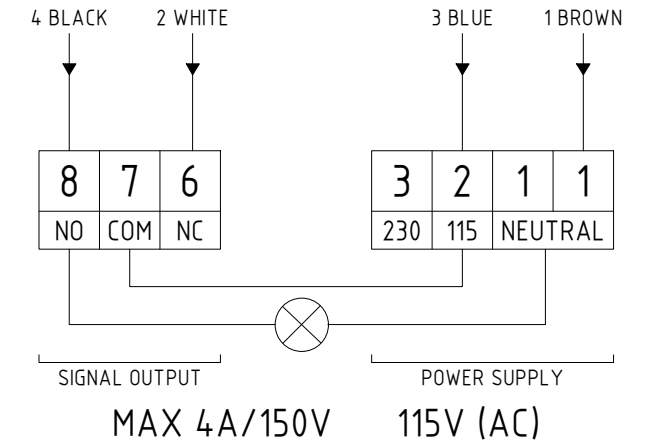
## 24 VDC

| M12 pole N. | Color | Signal    |
|-------------|-------|-----------|
| 1           | BROWN | ±24V (DC) |
| 2           | WHITE | NC        |
| 3           | BLUE  | ±24V (DC) |
| 4           | BLACK | NO        |



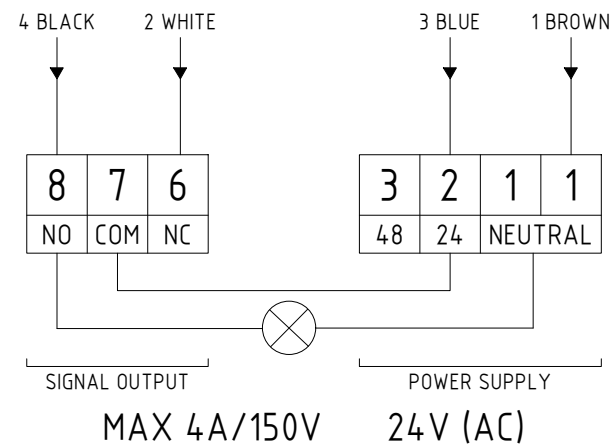
## 115 VAC

| M12 pole N. | Color | Signal    |
|-------------|-------|-----------|
| 1           | BROWN | NEUTRAL   |
| 2           | WHITE | NC        |
| 3           | BLUE  | 115V (AC) |
| 4           | BLACK | NO        |



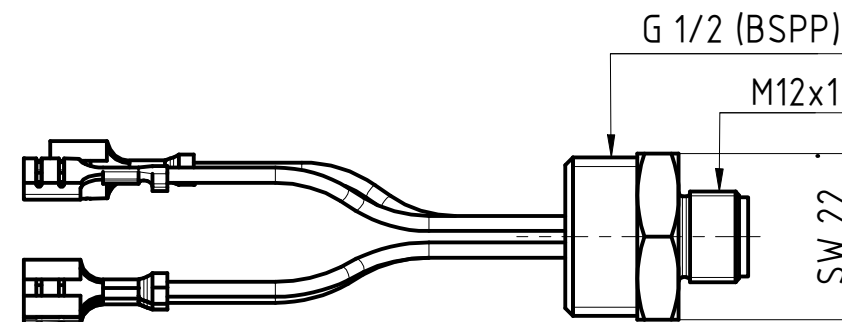
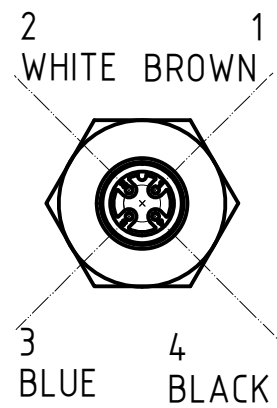
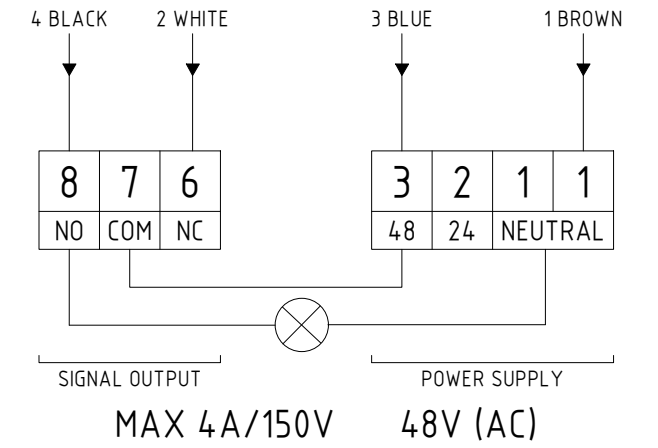
## 24 VAC

| M12 pole N. | Color | Signal   |
|-------------|-------|----------|
| 1           | BROWN | NEUTRAL  |
| 2           | WHITE | NC       |
| 3           | BLUE  | 24V (AC) |
| 4           | BLACK | NO       |



## 48 VAC

| M12 pole N. | Color | Signal   |
|-------------|-------|----------|
| 1           | BROWN | NEUTRAL  |
| 2           | WHITE | NC       |
| 3           | BLUE  | 48V (AC) |
| 4           | BLACK | NO       |



**CONFIDENTIAL / PROPRIETARY  
DO NOT DISTRIBUTE**

© CAMLogic  
- ALL RIGHTS RESERVED -

|   |  |   |                  |
|---|--|---|------------------|
| <b>© CAMLogic</b><br>Via Dell'Industria 12<br>42025 Cavriago (RE) - ITALY<br>Web: www.camlogic.it |  | DRAWING NUMBER                                      |                  |
|   |  | <b>0602_0039_00</b>                                 |                  |
| SCALE: 1 : 1  | DESCRIPTION  | DRAWN: Guidetti F.                                  | 26/06/2020       |
| GENERAL TOL: ISO 2768-mH  |  | M12 CONNECTOR CONNECTION DIAGRAMS PFG05             |                  |
| FILE: 0602_0039_00  | DRAWING FROM CAD SYSTEM - REFER TO 3D MODEL FOR MISSING DIMENSION - NO MANUAL MODIFICATION ALLOWED | UNLESS OTHERWISE SPECIFIED - DIMENSIONS ARE IN mm - | SHEET NO: 3 OF 3 |

SIZE UNI A3